

# MAGNASONIC

For Customer Assistance Call:

1-800-663-5459

## iP600M

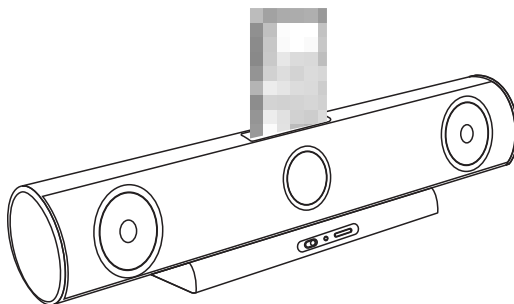
---

### iPod® Docking Portable Speaker System

---

---

## Instruction Manual



iPod is a trademark of Apple Inc.,  
Registered in the U.S. and other countries.

Thank you for your purchase of this Magnasonic product. Please read this Instruction Manual carefully before using product to ensure proper use. Keep this manual in a safe place for future reference.

[www.magnasonic.ca](http://www.magnasonic.ca)

## IMPORTANT SAFETY INSTRUCTIONS

### NOTE :

TO PREVENT FIRE OR SHOCK HAZARD, DO NOT USE THIS PLUG WITH AN EXTENSION CORD, RECEPTACLE OR OTHER OUTLET UNLESS THE BLADES CAN BE FULLY INSERTED TO PREVENT BLADE EXPOSURE. TO PREVENT FIRE OR SHOCK HAZARD, DO NOT EXPOSE THIS APPLIANCE TO RAIN OR MOISTURE.



The lightning flash with arrowhead symbol, within an equilateral triangle is intended to alert the user to the presence of uninsulated 'dangerous voltage' within the product's enclosure that may be of sufficient magnitude to constitute a risk of electric shock to persons.

### CAUTION

RISK OF ELECTRIC SHOCK  
DO NOT OPEN

WARNING: TO REDUCE THE RISK OF ELECTRIC SHOCK, DO NOT REMOVE COVER (OR BACK). NO USER SERVICEABLE PARTS INSIDE. REFER SERVICING TO QUALIFIED SERVICE PERSONNEL.



The exclamation point within an equilateral triangle is intended to alert the user to the presence of important operating and maintenance (servicing) instructions in the literature accompanying the appliance.

The Caution Marking maybe located at the bottom enclosure of the apparatus.

1. Read these instructions. Keep these instructions. Follow all instructions. Heed all warnings.
2. Do not use this apparatus near water.
3. Clean only with dry cloth.
4. Do not block any ventilation openings. Install in accordance with the manufacturer's instructions.
5. Do not install near any heat sources such as radiators, heat registers, stoves, or other apparatus (including amplifiers) that produce heat.
6. Do not defeat the safety purpose of the polarized or grounding-type

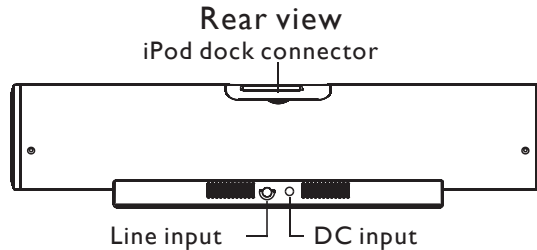
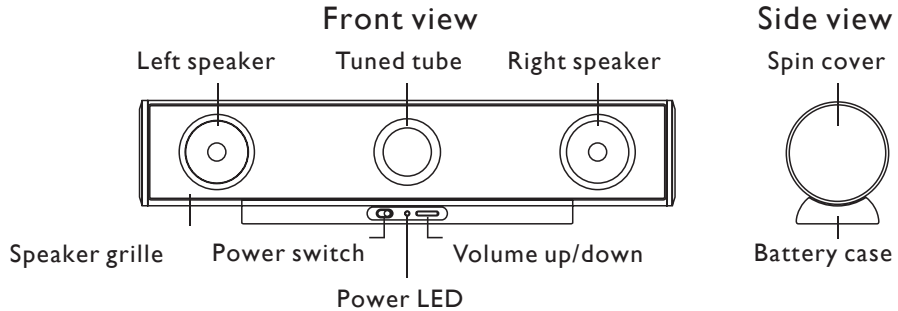
plug. A polarized plug has two blades with one wider than the other. A grounding type plug has two blades and a third grounding prong. The wide blade or the third prong is provided for your safety. If the provided plug does not fit into your outlet, consult an electrician for replacement of the obsolete outlet.

7. Protect the power cord from being walked on or pinched particularly at plugs, convenience receptacles, and the point where they exit from the apparatus.
8. Only use attachments / accessories specified by the manufacturer.
9. Unplug this apparatus during lightning storms or when unused for long periods of time.
10. Refer all servicing to qualified service personnel. Servicing is required when the apparatus has been damaged in any way, such as power-supply cord or plug is damaged, liquid has been spilled or objects have fallen into the apparatus, the apparatus has been exposed to rain or moisture, does not operate normally, or has been dropped.
11. This appliance shall not be exposed to dripping or splashing water and no object filled with liquids such as vases shall be placed on the apparatus.
12. Use only with the cart, stand, tripod, bracket, or table specified by the manufacturer, or sold with the apparatus. When a cart is used, use caution when moving the cart/apparatus combination to avoid injury from tip-over.
13. Do not overload wall outlet. Use only power source as indicated.
14. Use replacement parts as specified by the manufacturer.
15. The product may be mounted to a wall only if recommended by the manufacturer.
16. Upon completion of any service or repairs to this product, ask the service technician to perform safety checks.

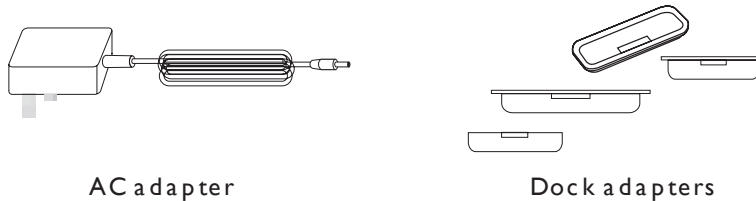


# I. Overview

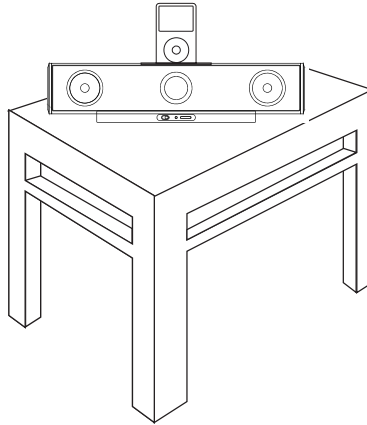
Congratulations on your new iPod Docking Portable Speaker System. Your new boombox with iPod docking station is a high quality portable speaker system that plays music from iPod and other audio devices.



## Accessories



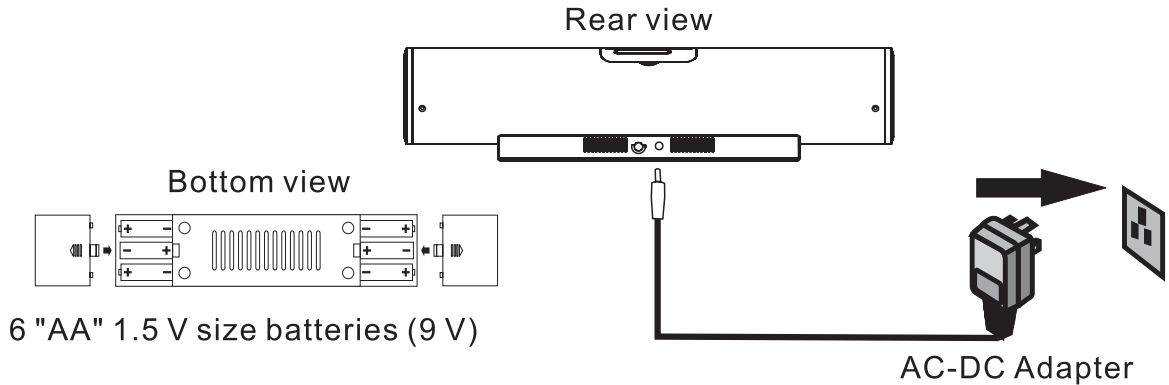
## 2. Where to use your iPod Docking Portable Speaker System



Your new iPod Docking Portable Speaker System can sit on a flat surface with its desktop base either indoors or outdoors.

Note: iPod not included.

### 3. Power your iPod Docking Portable Speaker System

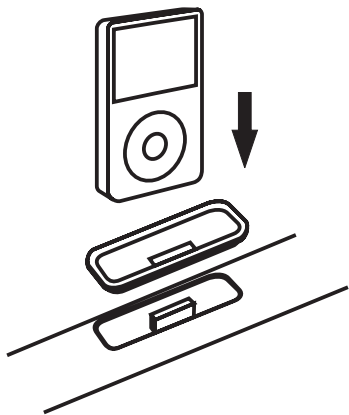


- 1) Plug your iPod Docking Portable Speaker System into an outlet using the included AC-DC adapter.
- 2) Or to use your iPod Docking Portable Speaker System on the go, slide out 2 battery compartment covers, insert 6 AA batteries (not included) and cover the compartments. Be sure to position the positive (+) and negative (-) terminals on the batteries as shown.

#### Note:

- 1) Your iPod can play and charge at the same time. To do so, connect your iPod to the iPod Docking Portable Speaker System, and power the Portable Speaker System with the AC-DC adapter. You cannot charge your iPod with batteries.
- 2) The battery power will be cut off automatically when plug in with AC-DC adapter.

#### 4. Connect and play your iPod (iPod not included)



Insert the correct dock adapter that allows you to fit your iPod into your iPod Docking Portable Speaker System. Then, connect your iPod. You can remove the dock adapter from the Portable Speaker System using a fingernail, and switch to use another iPod.

This unit contains 4 dock adapters for below iPods.

- \* iPod nano - 1GB, 2GB, 4GB

- \* 5G iPod with video - 30GB, U2 Special Edition

- \* 5G iPod with video - 60GB, 80GB

- \* 2G iPod nano - 2GB, 4GB, 8GB

## 5. Connect other audio devices or an iPod without a dock connector



Connect other audio devices with headphone or LINE-OUT jack. Plug in an audio cable (not included) with a standard 3.5mm stereo mini plug to the LINE IN jack on the rear of the Portable Speaker System.

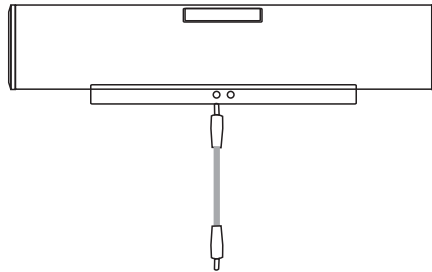
This connection cuts off the inside source such as iPod.

**Note:** Do not connect your iPod Docking Portable Speaker System to the speaker outputs from another device to avoid damage.



## 6. Operate your iPod Docking Portable Speaker System and Auxiliary device

- 1) In the iPod mode, slide the power switch to ON. Browse and press “PLAY” on your iPod to start playing music from your boombox. Rotate the volume (show graphic) thumbwheel in the front of the iPod Docking Portable Speaker System to control volume levels.
- 2) In the AUX mode, plug in the audio cable (not included) to the LINE IN jack. The other audio sources (e.g. iPod) will automatically cut off inside the iPod Docking Portable Speaker System.  
You can change the volume using the controls of the extra audio source.



## 7. Specifications

- 1) RMS output: 2x4W
- 2) Speaker unit: 2.25" (shield)
- 3) Rated impedance: 8ohm
- 4) Frequency range: 60~18KHz
- 5) Distortion: Standard  $\leq 1\%$ , Max.  $\leq 10\%$
- 6) S/N ratio:  $\geq 65$ dB
- 7) Sensitivity: 83  $\pm 2$ dB
- 8) Separation:  $\geq 50$ dB
- 9) Balance:  $\leq 2$ dB
- 10) Input sensitivity: 500mV
- 11) Power supply: DC 9V/1.3A
- 12) Power consumption: 11.7W

## 8. Tips and Troubleshooting

iPod Docking Portable Speaker System won't play	Volume isn't turned down Power switch slid to correct mode No AUX input Both ends of AC-DC adapter pushed in Check that the batteries are inserted correctly with full power
AUX won't play	Volume isn't turned down Correct audio cable and connected firmly Check that the AUX device is turned on and functioning
iPod won't respond	HOLD switch off, iPod not PAUSED Reset your iPod

## MAGNASONIC® WARRANTY

### Consumer Electronics, Home Appliances and Home Office Products

Thank you for choosing MAGNASONIC ! ®

SYNNEX Canada Limited gives the following express warranty to the original consumer purchaser or gift recipient for this MAGNASONIC product, when shipped in its original container and sold or distributed in Canada by SYNNEX Canada Limited or by an Authorized MAGNASONIC Dealer:

SYNNEX Canada Limited warrants that this product is free, under normal use and maintenance, from any defects in material and workmanship. If any such defects should be found in this product within the applicable warranty period, SYNNEX Canada Limited shall, at its option, repair or replace the product as specified herein. Replacement parts furnished in connection with this warranty shall be warranted for a period equal to the unexpired portion of the original equipment warranty.

This warranty shall not apply to:

- a. Any defects caused or repairs required as a result of abusive operation, negligence, accident, improper installation or inappropriate use as outlined in the owner's manual.
- b. Any MAGNASONIC product tampered with, modified, adjusted or repaired by any party other than SYNNEX Canada Limited or MAGNASONIC's Authorized Service Centres.
- c. Damage caused or repairs required as a result of the use with items not specified or approved by SYNNEX Canada Limited, including but not limited to head cleaning tapes and chemical cleaning agents.
- d. Any replacement of accessories, glassware, consumable or peripheral items required through normal use of the product including but not limited to earphones, remote controls, AC adapters, batteries, temperature probe, stylus, trays, filters, cables, paper, cabinet, cabinet parts, knobs, buttons, baskets, stands, shelves, cookware and cooking utensils.
- e. Any cosmetic damage to the surface or exterior that has been defaced or caused by normal wear and tear.
- f. Any damage caused by external or environmental conditions, including but not limited to transmission line/power line voltage or liquid spillage.
- g. Any product received without appropriate model, serial number and CSA /cUL /cULus /cETL /cETLus markings.
- h. Any products used for rental or commercial purposes.
- i. Any installation, setup and/or programming charges.

Should this MAGNASONIC product fail to operate during the warranty period, warranty service may be obtained upon delivery of the MAGNASONIC product together with proof of purchase and a copy of this LIMITED WARRANTY statement to an Authorized MAGNASONIC Service Centre. In-home warranty service may be provided at SYNNEX Canada Limited's discretion on any

MAGNASONIC television with the screen size of 27" or larger. This warranty constitutes the entire express warranty granted by SYNEX Canada Limited and no other dealer, service centre or their agent or employee is authorized to extend, enlarge or transfer this warranty on behalf of SYNEX Canada Limited. To the extent the law permits, SYNEX Canada Limited disclaims any and all liability for direct or indirect damages or losses or for any incidental, special or consequential damages or loss of profits resulting from a defect in material or workmanship relating to the product, including damages for the loss of time or use of this MAGNASONIC product or the loss of information. The purchaser will be responsible for any removal, reinstallation, transportation and insurance costs incurred. Correction of defects, in the manner and period of time described herein, constitute complete fulfillment of all obligations and responsibilities of SYNEX Canada Limited to the purchaser with respect to the product and shall constitute full satisfaction of all claims, whether based on contract, negligence, strict liability or otherwise.

#### CARRY-IN PARTS & LABOUR WARRANTY PERIODS:

- Audio Products: 1 Year (Remote Control, if applicable 90 Days)
- DVD Products: 1 Year (Remote Control 90 Days)
- LCD & Plasma Display TV: 1 Year (Remote Control 90 Days)
- Television Products: 1 Year (Remote Control 90 Days)
- VCR Products: 1 Year (Remote Control 90 Days, Video Heads 6 Months)
- Home Appliances: 1 Year
  - o Microwave Magnetron parts only additional 3 Years
  - o Refrigerator / Freezer Compressor parts only, additional 4 years
- Heating / Cooling & Humidification Products: 1 Year (Remote Control 90 Days)
  - o Compressor parts only (if applicable), additional 4 years
- Home Office: 1 Year

To obtain the name and address of the nearest Authorized MAGNASONIC Service Centre or for more information on this warranty

- Visit [www.magnasonic.ca](http://www.magnasonic.ca)
- Mail your inquiry to  
SYNEX Canada Limited  
MAGNASONIC Customer Service  
200 Ronson Drive, Toronto, ON M9W 5Z9; or
- Call toll free 1-800-663-5954, Monday to Friday 9:00am 5:00pm Eastern Standard Time

MAGNASONIC is a registered trade-mark  
of SYNEX Canada Limited  
08.2007